



THC3 High Energy Tantalum Hybrid Capacitor

(Hermetic sealed & Military standard)

Characteristics and application

- ◆ All tantalum case, hermetic sealed, Cylindrical, radial leads, Polar
 - ◆ This product is made up of tantalum capacitor and electrochemical capacitor
 - ◆ Stable electric performance, high reliability, long life, large energy density per unit volume, store much energy, larger capacitance than THC2
- Used as battery in Energy conversion circuit and power pulse circuit, Perform Energy storage, filter, power-off delay in circuit.
- ◆ Standard: QJ/PWV311-2009

How to order: **THC3-25V86000μF-M: 100PCS**

Technical Performance

Temperature range: -55℃~+125℃ (>125℃ use derated voltage)

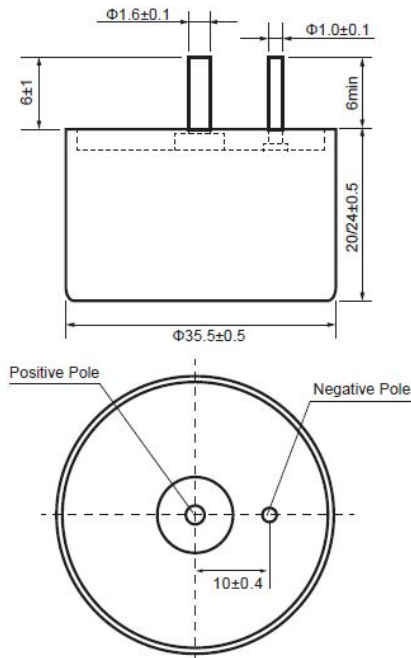
Store environment temperature: -62℃~+130℃

Capacitance tolerance: K=±10%; M=±20%; Q=-10%~+30%

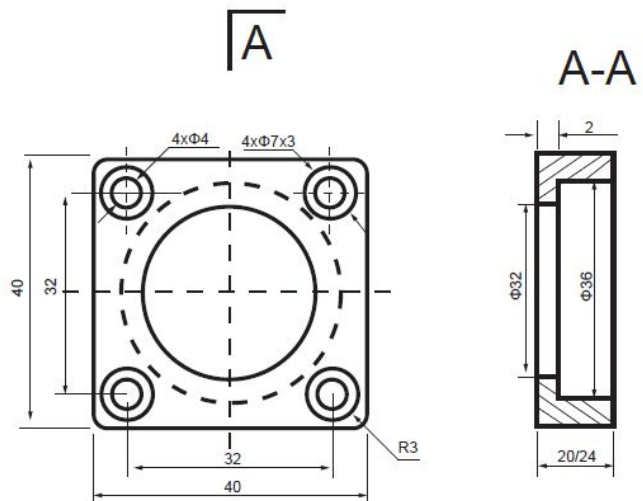
Electric performance: see table



Size and installation of the structure see picture.



THC3 Φ36x20/24 outline
Unit:mm



THC3 Φ36x20/24 install method
Unit:mm



Table1 THC3 High Energy Tantalum Hybrid Capacitor datas and size: $\phi 36 \times 20/24 \text{mm}$

Rated Vol. (V)	Derated Vol. (V)	Surge Vol. (V)	Cap. (μF)	tg δ (%) 100HZ	ESR (Ω) 1KHZ	LC./ μA		R (Ω) -55 $^{\circ}\text{C}$	Cap. change (%)		Case size DxH mm	Weight Max. g
						25 $^{\circ}\text{C}$	85 $^{\circ}\text{C}$ 125 $^{\circ}\text{C}$		-55 $^{\circ}\text{C}$	+85 $^{\circ}\text{C}$		
10	6	11	200000 230000	190	0.025	400	1800	1	-80	+160	36x20 36x24	145 165
16	9.5	17.6	120000 140000	170	0.025	400	1800	1	-80	+160	36x20 36x24	145 165
25	15	27.5	70000 86000	140	0.025	400	1800	1	-75	+160	36x20 36x24	145 165
35	21	38.5	50000 60000	100	0.025	400	1800	1	-70	+160	36x20 36x24	145 165
50	30	55	30000 32000 33000	75	0.025	400	1600	1.2	-60	+160	36x20 36x20 36x24	145 145 165
63	38	70	16000 18000	55	0.035	400	1600	1.4	-50	+100	36x20 36x24	145 165
80	48	88	11000 13000	45	0.035	500	2500	1.6	-40	+100	36x20 36x24	145 165
100	60	110	4800 6000	40	0.035	500	2500	1.8	-30	+80	36x20 36x24	145 165
125	75	138	2200 2800	35	0.050	500	2500	2.4	-20	+50	36x20 36x24	145 165

Notes:

- 1, Tantalum capacitors can't be measured by multimeter (Easily cause irreversible damage and lead to reject)
- 2, Capacitance, DF measure frequency: 100Hz, DC offset voltage $U = 2.2^{0-1.0} \text{V}$, Exchange offset voltage $U = 1.0^{0-0.5} \text{V}$ (effective value), measure method is by series equivalent circuit.
- 3, Measure the leakage current above 125 $^{\circ}\text{C}$, please use derated voltage. DLC read within 5 minute.
- 4, Special size and big capacitance products, please negotiate with us