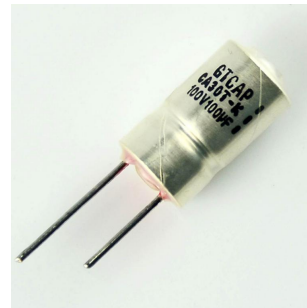


CA30T (Radial Leads)

Datasheet



❖ Brief Introduction

CA30T Series wet tantalum electrolytic capacitors

With polar radial leads are characterized in small size, low DC Leakage, Stable and excellent performances, high reliability and long life. CA30T Widely used in electronic equipment for military and civil applications such as telecommunication, aerospace and aviation.

CA30T series meets the requirements of Chinese electronic industry standard QJ/PWV82-2003,

❖ Technical Characteristics

Operating Temperature Range: $-55^{\circ}\text{C} \sim +125^{\circ}\text{C}$ ($>85^{\circ}\text{C}$ use derated voltage)

Capacitance Tolerance: $M=\pm 20\%$, $K=\pm 10\%$

DC Leakage: at $+20^{\circ}\text{C}$, $I_0 \leq 0.001 C_R U_R$ or $1\mu\text{A}$ (Whichever is greater);

at $+85^{\circ}\text{C}$ $I_0 \leq 0.01 C_R U_R$ or $10\mu\text{A}$ (Whichever is greater)

At $+125^{\circ}\text{C}$, $I_0 \leq 0.015 C_R U_R$ or $15\mu\text{A}$ (Whichever is greater)

DF (tg δ) at 20°C please see table 2

❖ Outline and dimensions:

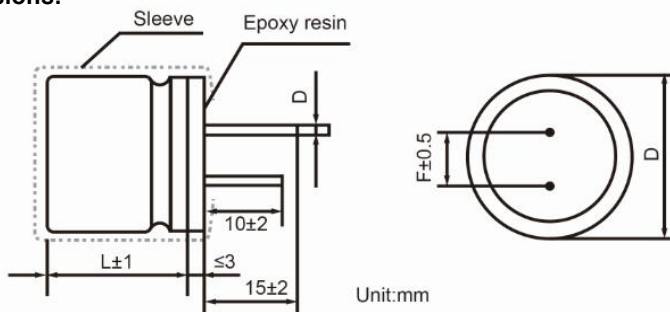


Table 1 Dissipation factor at 25°C

Dissipation Factor (%)	Cap. (uF)	Rated Voltage(V)														
		1-4.7	6.8	10	15	22	33	47	68	100	150	220	330	470	680	1000
6.3					15	20	25	30	45	40	70	50	85	80	90	
10				10	15	15	15	30	20	50	45	70	75	65	80	
16			10	10	10	12	20	20	35	35	60	70	50	70	90	
25		8	8	10	10	20	15	30	25	50	50	40	50	80		
40	6	8	8	10	20	12	25	20	35	35	30	45	45			
63	6	8	8	10	18	12	25	25	20	28	45	45				
100	6	8	10	18	15	25	28	20	25	40						
125	6	8	15	15	20	23	20	23								



Table 2 Rated voltage, derated voltage, dimensions and nominal capacitance.

Rated Voltage(V)			6.3	10	16	25	40	63	100	125
Derated Voltage(V)			4	6.3	10	16	25	40	63	75
Dimensions(mm)			Nominal Capacitance(uF)							
DxL	F	d								
6x16	3.5	0.8	100	68	47	33	22	15	6.8	4.7
			150	100	68	47	33	22	10	6.8
8x14	5.0	0.8	220	150	100	68	47	33	15	10
			330	220	150	100	68	47	22	15
10x14	5.0	0.8	470	330	220	150	100	68	33	22
			680	470	330	220	150	100	47	33
10x16	5.0	0.8	1000	680	470	330	220	150	68	47
12x20	6.0	1.0			680	470	330	220	100	68
12x24	6.0	1.0			1000	680	470	330	150	

❖ How to order

(Part No. CA30T-105M016)

GT	CA30T	105	M	016
Brand Name	Type	Capacitance	Tolerance	DC voltage
Green Tech	Series Wet Electrolytic Tantalum Capacitor	105: 10X 10 ⁵ (pF) This is expressed in picofarads. The first two digits are the significant figures. The third is the number of zeros to follow.	K=±10% M=±20%	6.3V=006 10V=010 16V=016 25V=025 40V=040 50V=050 63V=063 75V=075 100V=100 125V=125

Notes:

- Tantalum capacitors can't be measured by multimeter (Easily cause irreversible damage and lead to reject)
- Capacitance, DF measure frequency: 100Hz, U.=2.2_{-1.0}⁰V, U.=1.0_{-0.5}⁰V(effective value)
- Measure leakage current above 85°C, please use derated voltage.
- Special size and big capacitance products, please negotiate with GTCAP.