



# CAK39H Military Standard Wet Tantalum Capacitor

(Tantalum case with glass-to tantalum hermetic seal, high reliability)



### ❖ Brief Introduction and Feature

- CAK39H, Tantalum case with glass-to-tantalum hermetic sealed,
- With insulation sleeve wet tantalum electrolytic capacitors.
- With polar, axial leads through hole, in stable and excellent performances.
- High reliability,long life,high ripple current,low ESR and low DC leakage current (DCL)..
- Widely used in electronic equipment for military applications such as telecommunication, aerospace and aviation.

Meet standard: GJB733A-96,QJ/PWV319-2010

### ❖ General Characteristics

Operating Temperature Range: -55°C~+125°C(>125°C with voltage derating);

Storage temperature: -62°C~+130°C

Capacitance range: 10μF~2200μF

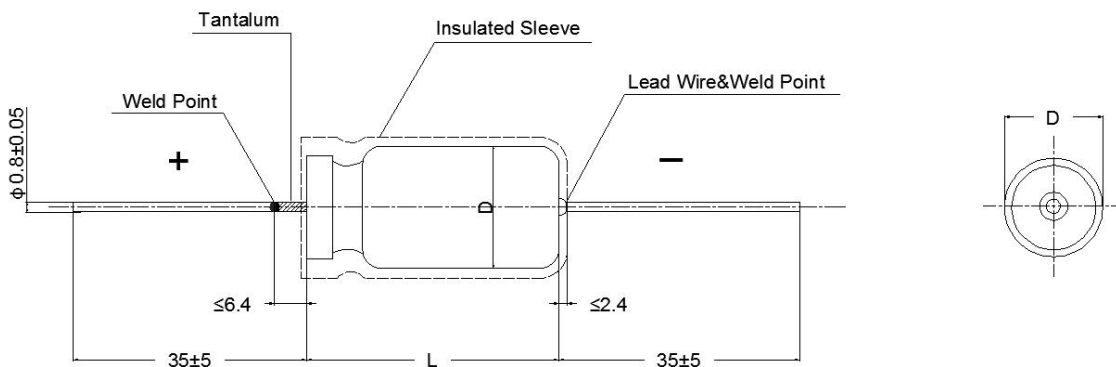
Capacitance Tolerance: K=±10% ,M=±20%

Voltage: 15V~125V

Reverse voltage capability: 1.5V

High resistance to damage from shock,vibration and irradiation.

### ❖ Drawing,Case Dimension and Max. Weight



Code	Max. weight (g)	Without sleeve		With sleeve	
		D±0.4 (mm)	L±0.8 (mm)	D±0.4 (mm)	L±0.8 (mm)
T1	3	4.78	11.51	5.18	13.11
T2	7	7.14	16.28	7.54	17.88
T3	12	9.52	19.46	9.92	21.06
T4	18	9.52	26.97	9.92	28.57
L4	22	9.90	30.00	10.30	31.60



## Shanghai Green Tech Co.,Ltd.

## ❖ Electric Performance Characteristics of CAK39H series.

Rated Voltage (V)	Voltage Derating (V)	Case size	Cap. (μF)	DCL (μA)Max.		IMP. (Ω) -55℃ 100Hz	Cap. change Max (%)			ESR 100Hz 25℃ (Ω)	AC ripple 85℃ 40KHz (mA)
				25℃	85℃ 125℃		25℃	85℃	125℃		
										25℃	85℃
15	10	T1	150	2	12	30	-55	+30	+40	1.4	1400
		T2	680	6	36	13	-70	+30	+50	1.1	2200
		T3	1500	12	70	12	-80	+40	+60	0.9	2700
		T4	2200	20	120	7	-85	+40	+60	0.7	3400
25	15	T1	120	1	5	25	-42	+16	+24	1.3	1250
		T2	560	2	10	12	-65	+24	+30	1.0	2100
		T3	1200	5	20	7	-70	+24	+36	0.8	2600
		T4	1800	6	25	7	-72	+24	+40	0.5	3100
30	20	T1	100	1	5	30	-38	+16	+24	1.6	1200
		T2	470	2	10	18	-65	+20	+36	1.1	1800
		T3	1000	7	25	12	-70	+20	+36	1.0	2500
		T4	1500	12	35	8	-72	+20	+40	0.9	3000
50	30	T1	68	1	5	35	-25	+12	+30	1.8	1050
		T2	220	2	10	18	-50	+12	+30	1.2	1800
		T3	470	3	25	14	-45	+12	+30	1.1	2100
		T4	680	5	40	9	-58	+20	+40	1.0	2750
60	40	T1	47	1	5	45	-25	+10	+24	2.3	1050
		T2	150	2	10	21	-40	+10	+24	1.4	1800
		T3	390	3	25	15	-45	+10	+24	1.2	2100
		T4	560	5	40	11	-58	+10	+24	1.1	2750
63	40	T1	47	1	5	45	-25	+10	+24	1.4	2750
		T2	150	2	10	21	-40	+10	+24	1.2	1050
		T3	390	3	25	15	-45	+10	+24	1.0	1800
		T4	560	10	40	20	-58	+10	+24	1.1	2750
		L4	470	5	32	14	-40	+5	+15	1.0	2750
		L4	680	10	60	18	-58	+10	+25	0.8	2800
75	50	T1	33	1	5	55	-25	+9	+18	2.8	1050
		T2	110	2	10	35	-35	+10	+20	1.6	1650
		T3	330	3	30	21	-45	+10	+20	1.3	2100
		T4	470	5	50	13	-50	+10	+20	1.2	2750
100	65	T1	15	1	5	120	-18	+3	+10	4.0	1050
		T2	68	2	10	40	-30	+4	+12	2.4	1650
		T3	150	3	25	28	-35	+6	+12	1.9	2100
		T4	220	5	50	21	-40	+6	+12	1.5	2750
125	85	T1	10	1	5	180	-15	+3	+10	6.0	1050
		T2	47	2	10	55	-25	+5	+12	2.8	1650
		T3	100	3	25	55	-35	+5	+12	2.1	2100
		T4	150	5	50	21	-35	+6	+12	1.9	2750



Shanghai Green Tech Co.,Ltd.

❖ How to order

(GTCAK39H-227K050T2)

GT	CAK39H	227	K	050	T2
Brand Name	Type	Capacitance	Tolerance	DC voltage	Size code
Green Tech	Military Wet Electrolytic Tantalum Capacitor	227: $22 \times 10^7$ (pF) This is expressed in picofarads. The first two digits are the significant figures. The third is the number of zeros to follow.	K=±10% M=±20%	15V=015 25V=025 30V=030 50V=050 60V=060 100V=100 125V=125	T1 T2 T3 T4

Notes:

- Tantalum capacitors can't be measured by multimeter. (Easily cause irreversible damage and lead to reject when reversed polarity)
- Capacitance, DF measure frequency: 100Hz, DC offset voltage  $U = 2.2^{0.1-0.5}V$ , Exchange offset voltage  $U = 1.0^{0.5-1.0}V$  (effective value), measure method is by series equivalent circuit.
- Measure the leakage current at 125°C, please use derated voltage. DCL read at 5 minute.
- Special size and big capacitance products, please negotiate with us.