



# CAK39HE Military Standard Wet Tantalum Capacitor

(Tantalum case with glass-to tantalum hermetic seal, high reliability)



### ❖ Brief Introduction and Feature

- CAK39HE, Tantalum case with glass-to-tantalum hermetic sealed,
- Larger capacitance,bigger capacitance density than CAK39H.
- With insulation sleeve wet tantalum electrolytic capacitors.
- With polar, axial leads through hole, in stable and excellent performances.
- High reliability.long life,high ripple current,low ESR and low DC leakage current (DCL).
- Widely used in electronic equipment for military applications such as telecommunication, aerospace and aviation.

Meet standard: GJB733A-96,QJ/PWV338-2010

### ❖ General Characteristics

Operating Temperature Range: -55°C~+125°C(>125°C with voltage derating);

Storage temperature: -62°C~+130°C

Capacitance range: 10μF~2200μF

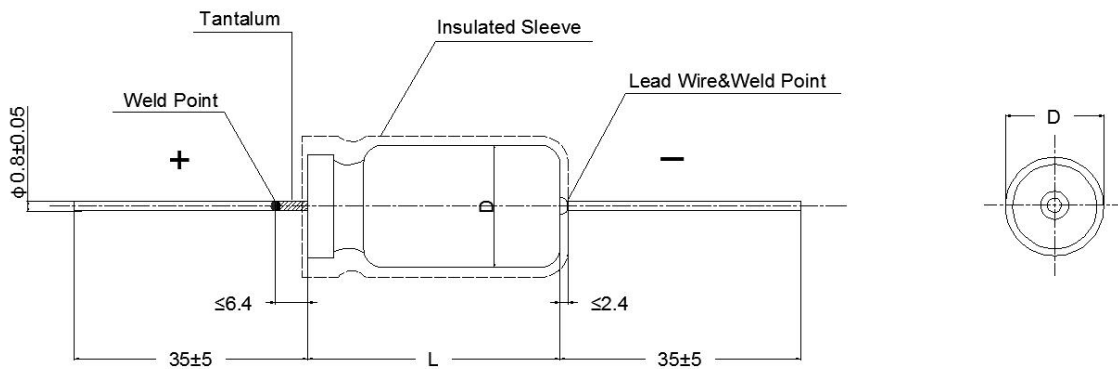
Capacitance Tolerance: K=±10% ,M=±20%

Voltage: 15V~125V

Reverse voltage capability: 1.5V

High resistance to damage from shock,vibration and irradiation.

### ❖ Drawing,Case Dimension and Max. Weight



Code	Max. weight (g)	Without sleeve		With sleeve	
		D±0.4 (mm)	L±0.8 (mm)	D±0.4 (mm)	L±0.8 (mm)
T2	7	7.14	16.28	7.54	17.88
T3	12	9.52	19.46	9.92	21.06
T4	18	9.52	26.97	9.92	28.57
L4	22	9.90	30.00	10.30	31.60



Shanghai Green Tech Co.,Ltd.

❖ Electric Performance Characteristics of CAK39HE series.

Rated Voltage (V)	Voltage Derating (V)	Case size	Cap. (μF)	DCL (μA)Max		IMP. (Ω) -55℃ 100Hz	Cap. change Max (%)			ESR (Ω) 100Hz 25℃	tgδ(%)		AC ripple 85℃ 40KHz (mA)
				25℃	85℃ 125℃		25℃	85℃	125℃		25℃	85℃	
						25℃				85℃			125℃
10	7	T3	4700	16	100	3.5	-80	50	115	0.35	450	4000	
		T4	10000	25	150	3.0	-85	55	130	0.25	460	5000	
16	10	T3	3300	16	100	3.5	-80	60	125	0.35	210	4000	
		T4	6000	25	150	3.0	-90	60	150	0.3	200	4500	
25	15	T4	4000	25	125	5.0	-85	60	120	0.35	170	4250	
30	20	T4	3300	30	150	5.0	-85	55	120	0.4	150	2750	
35	22	T4	2500	30	150	6.0	-85	50	110	1.2	140	3500	
50	30	T4	1500	15	110	6.0	-70	25	60	0.45	80	3500	
		T4	2200	25	125	4.5	-80	60	170	0.6	150	3000	
		L4	2200	20	100	4.5	-80	60	170	0.6	150	3250	
63(60)	40	T4	1000	20	120	5.5	-80	20	55	0.5	70	3500	
		L4	1200	20	100	5.2	-60	35	70	0.8	70	3250	
75	50	T2	180	5	25	30	-45	20	50	1.5	50	2000	
		T3	470	25	100	10	-45	30	85	0.6	60	3000	
		T4	750	20	120	6.5	-80	30	60	0.5	80	3500	
		L4	1000	35	150	6.5	-80	20	80	0.8	60	3500	
100	65	T4	400	10	120	15	-55	8	20	0.7	65	3000	
125	85	T4	240	20	150	20	-40	15	30	1.2	50	2500	
		L4	270	20	110	25	-40	10	20	1.5	40	2500	
150	99	L4	100	12	150	40	-45	6	10	1.5	15	2600	

❖ How to order

(GTC AK39HE-109M010T4)

GT	CAK39HE	109	K	010	T4
Brand Name	Type	Capacitance	Tolerance	DC voltage	Size code
Green Tech	Military Wet Electrolytic Tantalum Capacitor	109: 10X10 <sup>9</sup> (pF)This is expressed in picofarads. The first two digits are the significant figures. The third is the number of zeros to follow.	K=±10% M=±20%	10V=010 16V=016 25V=025 ... 125V=125	T2 T3 T4 L4

Notes:

- Tantalum capacitors can't been measured by multimeter.(Easily cause irreversible damage and lead to reject when reversed polarity)
- Capacitance, DF measure frequency: 100Hz,DC offset voltage U.=2.2<sup>0</sup>.<sub>1.0</sub>V,Exchange offset voltage U.=1.0<sup>0</sup>.<sub>0.5</sub>V (effective value), measure method is by series equivalent circuit.
- Measure the leakage current at 125℃,please use derated voltage. DCL read at 5 minute.
- Special size and big capacitance products, please negotiate with us.