



Features

- High power performance
- Low ESR
- Over 1,000,000 duty cycles
- Snap-in terminal

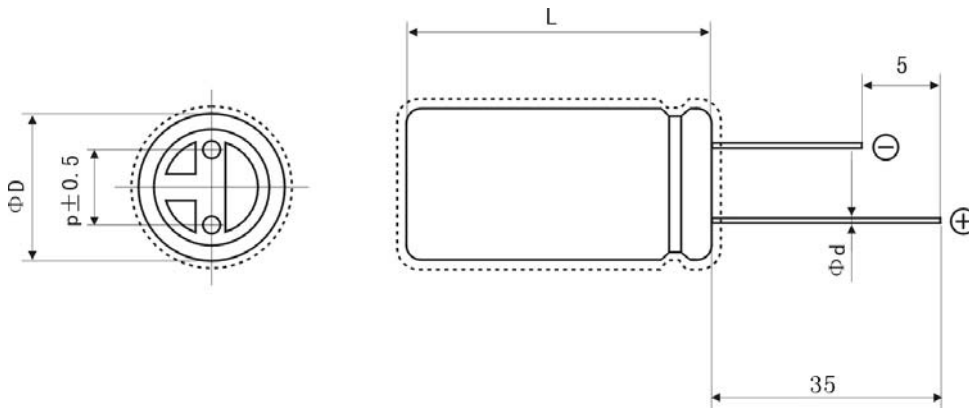


Applications

- Smart meters
- LED light
- Electronic toy
- Electric tool
- glare flashlight



Dimension



Dimension(mm)				
Capacitance	D	L	p	d
3.3F	8	20	3.5	0.6

Specifications

1. General Specification

Item		Specification/Condition
01	Part №	GTSP-2R7-335ZR
02	Rate discharge capacitance (F 25°C ΔV = 1.5V-1.25V I = 1A)	3.3
03	Capacitance tolerance	-20%~+80%
04	Rated Voltage U ₀ (V)	2.7
05	Operating temperature range	-40°C~70°C
06	MAX.ESR(mΩ AC/1KHz)	120
07	Cycle life Expectancy	After nominal voltage, 1,000,000 times charge-discharge cycle ΔC/C ≤30% of the initial value , ESR≤4 times of the specified value(25°C).



3.3F 2.7V

2. Environmental Specification

Item		Specification/Condition
01	Temperature characteristics	+70°C, ΔC/C ≤30% of the initial value, ESR≤specified value (25°C) -40°C, ΔC/C ≤50% of the initial value, ESR≤4 times of specified value (25°C)
02	High temperature load characteristics	+70°C±2,nominal voltage, After 1000h, ΔC/C ≤30% of the initial value, ESR≤4 times of specified value (25°C)。
03	High temperature without load characteristics	+70°C±2, 1000h±4, ΔC/C ≤30% of the initial value, ESR≤2times of specified value (25°C)
04	Humidity Resistance	+40°C±2, 90--95%RH, After 240h, ΔC/C ≤30% of the initial measured value, IL≤2 times of specified value (25°C) ,ESR≤4 times of specified value (25°C)。

3. Packaging

TYPE	QUANTITY(PCS)		Dimension (L×W×H)mm		Weight (Kg)
	/ Inner	/ Outer	Inner	Outer	
GTSP-2R7-335ZR	224	1344	270×195×95	415×295×310	5.69

4. GT Part Number:

GT	S	<input type="checkbox"/>	<input type="checkbox"/> <input type="checkbox"/> <input type="checkbox"/>	<input type="checkbox"/> <input type="checkbox"/> <input type="checkbox"/>	<input type="checkbox"/>	<input type="checkbox"/>				
Brand	Super	Series	Rated Voltage		Capacitance		Tolerance	Terminal Type		
Green	capacitor	Code	Code	Voltage	Code	Value (F)	Code	Tolerance	Code	Terminal
Tech		P	2R5	2.5V	104	0.1	J	±5%	H	Horizontal
		E	2R7	2.7V	224	0.22	K	±10%	V	Vertical
		M	3R3	3.3V	334	0.33	M	±20%	C	Coin
		PH	5R0	5.0V	474	0.47	U	-10%~20%	R	Radial
		EH	5R5	5.5V	105	1.0	V	10%~30%	T	Thread
		MH	6R3	6.3V	155	1.5	Z	-20%~80%	N	Snap in
		PP	012	12V	205	2.0			W	Weldable
		ML	016	16V	335	3.3			P	Pillar
			024	24V	475	4.7			S	Screw in
			036	36V	805	8.0			L	Wire
			048	48V	106	10				
			056	56V	206	20				
			075	75V	306	30				
			100	100V	506	50				
			120	120V	107	100				
			240	240V	158	1500				
					308	3000				
					508	5000				
					728	7200				