



Features

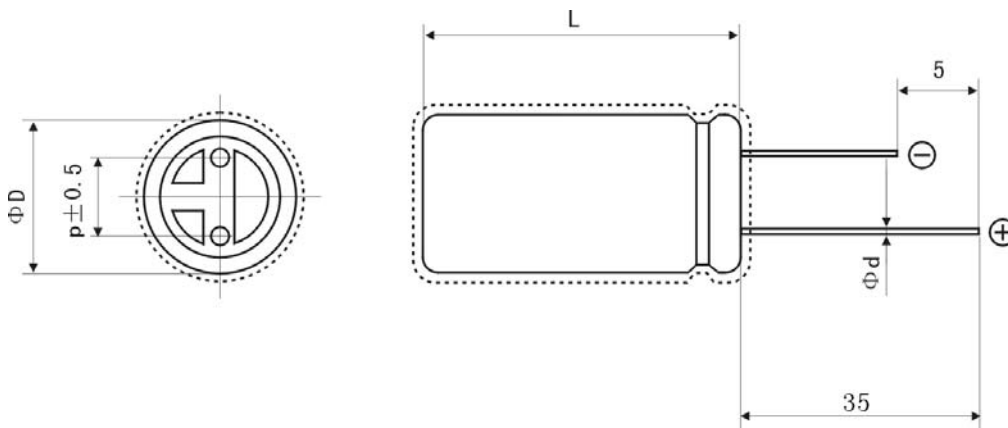
- High power performance
- Low ESR
- Over 1,000,000 duty cycles
- Snap-in terminal

Applications

- Smart meters
- LED light
- Electronic toy
- Electric tool
- glare flashlight



Dimension



Dimension(mm)				
Capacitance	D	L	p	d
5.0F	8	25	3.5	0.6

Specifications

1. General Specification

Item		Specification/Condition
01	Part №	GTSP-2R7-505ZR
02	Rate discharge capacitance (F 25°C ΔV = 1.5V-1.25V I = 1A)	5.0
03	Capacitance tolerance	-20% ~ +80%
04	Rated Voltage U ₀ (V)	2.7
05	Operating temperature range	-40°C ~ 70°C
06	MAX.ESR(mΩ AC/1KHz)	100
10	Cycle life Expectancy	After nominal voltage, 1,000,000 times charge-discharge cycle ΔC/C ≤ 30% of the initial value, ESR ≤ 4 times of the specified value (25°C).



5.0F 2.7V

2. Environmental Specification

Item		Specification/Condition
01	Temperature characteristics	+70°C, ΔC/C ≤30% of the initial value, ESR≤specified value (25°C) -40°C, ΔC/C ≤50% of the initial value, ESR≤4 times of specified value (25°C)
02	High temperature load characteristics	+70°C±2,nominal voltage, After 1000h, ΔC/C ≤30% of the initial value, ESR≤4 times of specified value (25°C)。
03	High temperature without load characteristics	+70°C±2, 1000h±4, ΔC/C ≤30% of the initial value, ESR≤2times of specified value (25°C)
04	Humidity Resistance	+40°C±2, 90--95%RH, After 240h, ΔC/C ≤30% of the initial measured value, IL≤2 times of specified value (25°C) ,ESR≤4 times of specified value (25°C)。

3. Packaging

TYPE	QUANTITY(PCS)		Dimension (L×W×H)mm		Weight (Kg)
	/ Inner	/ Outer	Inner	Outer	
GTSP-2R7-505ZR	224	1344	270×195×95	415×295×310	5.69

4. GT Part Number:

GT	S	<input type="checkbox"/>	<input type="checkbox"/> <input type="checkbox"/> <input type="checkbox"/>	<input type="checkbox"/> <input type="checkbox"/> <input type="checkbox"/>	<input type="checkbox"/>	<input type="checkbox"/>
Brand	Super	Series	Rated Voltage	Capacitance	Tolerance	Terminal Type
Green	capacitor	Code	Code	Value (F)	Code	Code
Tech		Series	Voltage		Tolerance	Terminal
		P Power	2R5 2.5V	104 0.1	J ±5%	H Horizontal
		E Energy	2R7 2.7V	224 0.22	K ±10%	V Vertical
		M Module	3R3 3.3V	334 0.33	M ±20%	C Coin
		PH Hi-Temp P	5R0 5.0V	474 0.47	U -10%~20%	R Radial
		EH Hi-Temp E	5R5 5.5V	105 1.0	V 10%~30%	T Thread
		MH Hi-temp M	6R3 6.3V	155 1.5	Z -20%~80%	N Snap in
		PP Big Power	012 12V	205 2.0		W Weldable
		ML Military	016 16V	335 3.3		P Pillar
			024 24V	475 4.7		S Screw in
			036 36V	805 8.0		L Wire
			048 48V	106 10		
			056 56V	206 20		
			075 75V	306 30		
			100 100V	506 50		
			120 120V	107 100		
			240 240V	158 1500		
				308 3000		
				508 5000		
				728 7200		