



Features

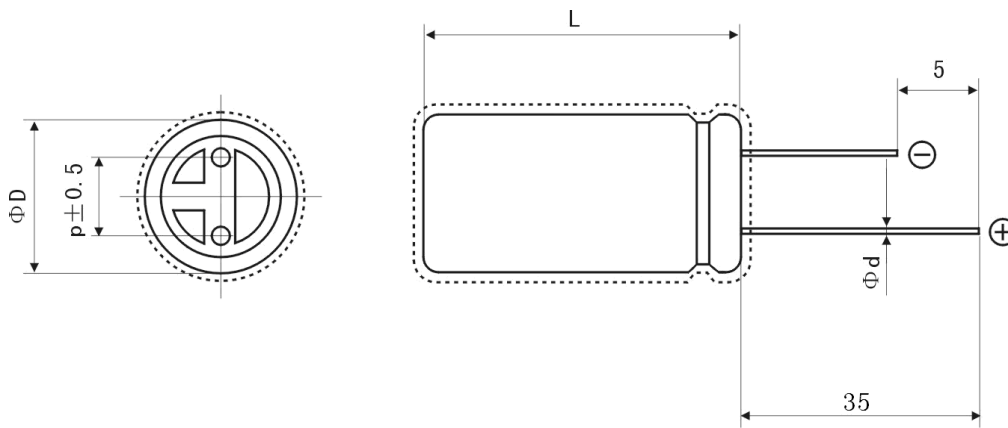
- High power performance
- Low ESR
- Over 1,000,000 duty cycles
- Can use at +85°C
- Radial Leads

Applications

- Smart meters
- LED light
- Electronic toy
- Electric tool
- Glare flashlight



Dimension



| Dimension(mm) | | | | | |
|---------------|---|----|-----|-----|--------|
| Capacitance | D | L | p | d | Weight |
| 1.0F | 8 | 13 | 3.5 | 0.6 | 1.2g |

Specifications

1. General Specification

| Item | | Specification/Condition |
|------|---|--|
| 01 | Part № | GTSPH-2R7-105ZR |
| 02 | Rate discharge capacitance (F 25°C ΔV= 1.5V-1.25V I= 1A) | 1.0 |
| 03 | Capacitance tolerance | -20%~+80% |
| 04 | Rated Voltage U ₀ (V) | 2.7 |
| 05 | Operating temperature range | -40°C~+85°C |
| 06 | MAX.ESR(mΩ AC/1KHz) | 300 |
| 07 | Max. Leakage current @RT after 24hrs | 0.008mA |
| 08 | Cycle life Expectancy | After nominal voltage,1,000,000 times charge-discharge cycle ΔC/C ≤30% of the initial value ,ESR≤4 times of the specified value(25°C). |



1.0F 2.7V

2. Environmental Specification

| Item | | Specification/Condition |
|------|---|--|
| 01 | Temperature characteristics | +85°C, ΔC/C ≤30% of the initial value, ESR≤specified value (25°C) -40°C, ΔC/C ≤50% of the initial value, ESR≤4 times of specified value (25°C) |
| 02 | High temperature load characteristics | +85°C±2,nominal voltage, After 1000h, ΔC/C ≤30% of the initial value, ESR≤4 times of specified value (25°C)。 |
| 03 | High temperature without load characteristics | +85°C±2, 1000h±4, ΔC/C ≤30% of the initial value, ESR≤2times of specified value (25°C) |
| 04 | Humidity Resistance | +40°C±2, 90--95%RH, After 240h, ΔC/C ≤30% of the initial measured value, IL≤2 times of specified value (25°C) ,ESR≤4 times of specified value (25°C) 。 |

3. Packaging

| TYPE | QUANTITY(PCS) | | Dimension (LxWxH)mm | | Weight (Kg) |
|-----------------|---------------|---------|---------------------|-------------|-------------|
| | / Inner | / Outer | Inner | Outer | |
| GTSPH-2R7-105ZR | 640 | 3840 | 260×188×90 | 400×280×290 | |

4. GT Part Number:

| GT | S | <input type="checkbox"/> | <input type="checkbox"/> <input type="checkbox"/> <input type="checkbox"/> | <input type="checkbox"/> <input type="checkbox"/> <input type="checkbox"/> | <input type="checkbox"/> | <input type="checkbox"/> |
|-----------|-----------|--------------------------|--|--|--------------------------|--------------------------|
| Brand | Super | Series | Rated Voltage | Capacitance | Tolerance | Terminal Type |
| Green | capacitor | Code | Code | Code | Code | Code |
| Tech | | Series | Voltage | Value (F) | Tolerance | Terminal |
| | | P | 2R5 | 104 | J | H |
| | | E | 2R7 | 224 | K | V |
| | | M | 3R3 | 334 | M | C |
| | | PH | 5R0 | 474 | U | R |
| | | EH | 5R5 | 105 | V | T |
| | | MH | 6R3 | 155 | Z | N |
| | | PP | 012 | 205 | | W |
| | | ML | 016 | 335 | | P |
| | | | 024 | 475 | | S |
| | | | 036 | 805 | | L |
| | | | 048 | 106 | | |
| | | | 056 | 206 | | |
| | | | 075 | 306 | | |
| | | | 100 | 506 | | |
| | | | 120 | 107 | | |
| | | | 240 | 158 | | |
| | | | | 308 | | |
| | | | | 508 | | |
| | | | | 728 | | |