



Features

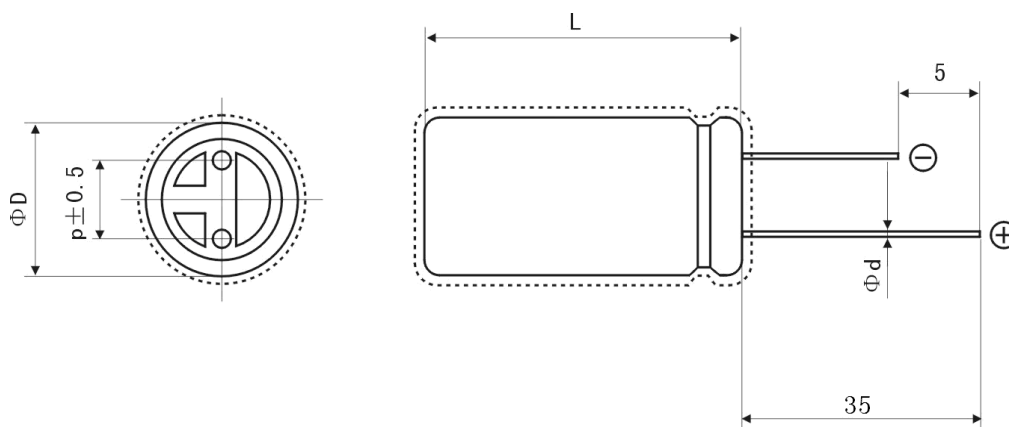
High power performance
Low ESR
Over 1,000,000 duty cycles
Can use at +85°C
Radial Leads

Applications

Smart meters
LED light
Electronic toy
Electric tool
Glare flashlight



Dimension



Dimension(mm)					
Capacitance	D	L	p	d	Weight
2.5F	8	19	3.5	0.6	1.6g

Specifications

1. General Specification

Item		Specification/Condition
01	Part №	GTSPH-2R7-255ZR
02	Rate discharge capacitance (F 25°C ΔV= 1.5V-1.25V I= 1A)	2.5
03	Capacitance tolerance	-20%~+80%
04	Rated Voltage U ₀ (V)	2.7
05	Operating temperature range	-40°C~+85°C
06	MAX.ESR(mΩ AC/1KHz)	100
07	Max. Leakage current @RT after 24hrs	0.015mA
08	Cycle life Expectancy	After nominal voltage,1,000,000 times charge-discharge cycle ΔC/C ≤30% of the initial value ,ESR≤4 times of the specified value(25°C).



2.5F 2.7V

2. Environmental Specification

Item		Specification/Condition
01	Temperature characteristics	+85°C, ΔC/C ≤30% of the initial value, ESR≤specified value (25°C) -40°C, ΔC/C ≤50% of the initial value, ESR≤4 times of specified value (25°C)
02	High temperature load characteristics	+85°C±2,nominal voltage, After 1000h, ΔC/C ≤30% of the initial value, ESR≤4 times of specified value (25°C)。
03	High temperature without load characteristics	+85°C±2, 1000h±4, ΔC/C ≤30% of the initial value, ESR≤2times of specified value (25°C)
04	Humidity Resistance	+40°C±2, 90--95%RH, After 240h, ΔC/C ≤30% of the initial measured value, IL≤2 times of specified value (25°C) ,ESR≤4 times of specified value (25°C) 。

3. Packaging

TYPE	QUANTITY(PCS)		Dimension (LxWxH)mm		Weight (Kg)
	/ Inner	/ Outer	Inner	Outer	
GTSPH-2R7-255ZR	576	3456	260×188×90	400×280×290	

4. GT Part Number:

GT	S	<input type="checkbox"/>	<input type="checkbox"/> <input type="checkbox"/> <input type="checkbox"/>	<input type="checkbox"/> <input type="checkbox"/> <input type="checkbox"/>	<input type="checkbox"/>	<input type="checkbox"/>
Brand	Super	Series	Rated Voltage	Capacitance	Tolerance	Terminal Type
Green	capacitor	Code	Code	Code	Code	Code
Tech		Series	Voltage	Value (F)	Tolerance	Terminal
		P	2R5	104	J	H
		E	2R7	224	K	V
		M	3R3	334	M	C
		PH	5R0	474	U	R
		EH	5R5	105	V	T
		MH	6R3	155	Z	N
		PP	012	205		W
		ML	016	335		P
			024	475		S
			036	805		L
			048	106		
			056	206		
			075	306		
			100	506		
			120	107		
			240	158		
				308		
				508		
				728		