



CA35 Wet Tantalum Capacitor

(hermetic sealed)

1, Brief Introduction

CA35 Series silver-cased ,hermetic sealed, with insulation sleeve wet tantalum electrolytic capacitors. With polar axial leads are characterized in stable and excellent performances, and high reliability.

CA35 Series meets the requirements of Chinese Electronic industry standard SJ/T10030-91, widely used in electronic equipment for military and civil applications such as telecommunication, aerospace and aviation.



2, General Characteristics

Operating Temperature Range: $-55^{\circ}\text{C} \sim +125^{\circ}\text{C}$ ($>85^{\circ}\text{C}$ with rated voltage derating);

Capacitance range: $1\mu\text{F} \sim 1500\mu\text{F}$

Capacitance Tolerance: $K=\pm 10\%$, $M=\pm 20\%$

Voltage: 6.3V~125V

DC Leakage: at $+20^{\circ}\text{C}$, $I_0 \leq 0.0008\text{CRVR}$ or $1\mu\text{A}$ (Whichever is greater);

at $+85^{\circ}\text{C}$ and $+125^{\circ}\text{C}$, $I_0 \leq 0.0060\text{ CRVR}$ or $6\mu\text{A}$ (Whichever is greater)

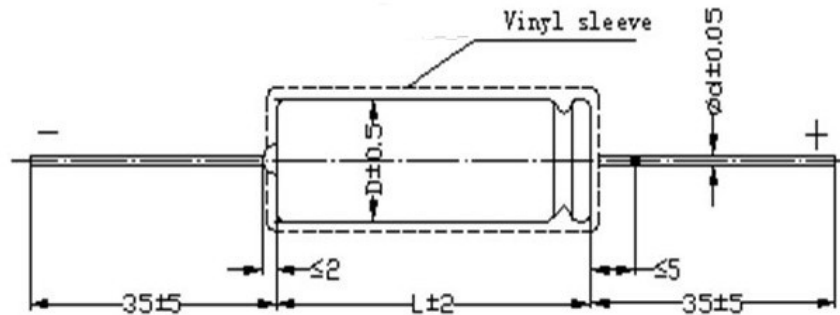
Dissipation Factor at 20°C : please see Table 2

Impedance at -55°C : please see Table 2

Case sizes, Dimensions and Max. weight: As shown in Table 1 and figure 1.

Nominal Capacitance, Rated voltage, Voltage Derating: See table 2

3, Drawing , Case Dimension and Max. weight



Outline and Dimensions

Table 1

Code	Max. weight (g)	Uninsulated		With insulated sleeve	
		D±0.5 (mm)	L±2 (mm)	D±0.5 (mm)	L±2 (mm)
1	4	5	14	5.8	16
2	5	6	16	6.8	18
3	7	8	16	8.8	18
4	10	8	22	8.8	24
5	14	10	22	10.8	24
6	17	10	25	10.8	27

Note: When encapsulated with plastic insulation sleeve, dimension D increase 0.8mm and L increase 2mm.



Shanghai Green Tech Co.,Ltd.

4, General Characteristics table 2

Rated Voltage	Voltage Derating	Case size	Capacitance (μF)	DF(%)Max 25°C,85°C,125°C	Impedance (Ω) -55°C 100Hz		
6.3	4	1	22	6	130		
		1	33	8	100		
		1	47	12	80		
		1	68	15	60		
		2	100	15	55		
		2	150	20	50		
		3	220	25	45		
		3	330	30	40		
		4	470	40	35		
		5	680	45	30		
		6	1000	50	25		
		6	1200	55	25		
		6	1500	70	20		
		10	6.3	1	15	6	180
1	22			6	130		
1	33			10	110		
1	47			12	90		
2	68			12	75		
2	100			12	50		
3	150			18	45		
3	220			25	40		
4	330			30	35		
5	470			35	30		
6	680			40	25		
6	1000			50	20		
16	10			1	10	5.7	200
				1	15	5.7	155
		1	22	6	130		
		1	33	8	90		
		2	47	10	80		
		2	68	16	75		
		3	100	18	60		
		3	150	18	50		
		4	220	18	45		
		5	330	30	40		
		6	470	35	35		
		6	680	45	30		



Shanghai Green Tech Co.,Ltd.

Rated Voltage	Voltage Derating	Case size	Capacitance (μF)	DF(%)Max 25°C,85°C,125°C	Impedance (Ω) -55°C 100Hz
25	16	1	6.8	4.6	300
		1	10	4.6	220
		1	15	6.5	175
		1	22	8.3	130
		2	33	9	100
		2	47	9	70
		3	68	9	60
		3	100	12	50
		4	150	14	45
		5	220	15	45
		6	330	20	35
		6	470	30	30
40	25	1	4.7	4.5	450
		1	6.8	4.5	350
		1	10	4.5	260
		1	15	7	175
		2	22	7	130
		2	33	8	90
		3	47	8	65
		3	68	10	55
		4	100	12	40
		5	150	15	35
		6	220	20	30
		6	330	25	25
		10x30mm	1000	85	20
		63	40	1	2.2
1	3.3			4.5	700
1	4.7			5	500
1	6.8			5	350
2	10			8	260
2	15			8	150
3	22			8	120
3	33			10	85
4	47			10	70
5	68			10	55
6	100			12	50
6	150			15	40
6	330			30	22



Rated Voltage	Voltage Derating	Case size	Capacitance (μF)	DF(%)Max 25°C,85°C,125°C	Impedance (Ω) -55°C 100Hz
100	63	1	1.5	5	1400
		1	2.2	5	1100
		1	3.3	6	700
		1	4.7	6	500
		2	6.8	8	350
		2	10	10	260
		3	15	10	160
		3	22	10	110
		4	33	12	110
		5	47	12	65
		6	68	12	50
		6	100	12	40
125	75	1	1.0	6	1800
		1	1.5	6	1400
		1	2.2	6	1100
		1	3.3	6	700
		2	4.7	6	500
		2	6.8	8	350
		3	10	9	260
		3	15	9	160
		4	22	9	130
		5	33	10	100
		6	47	10	70
		6	68	10	50

**5,How to order**

(GTCA35 107 K 0163)

GT	CA35	107	K	016	3
Brand Name	Type	Capacitance	Tolerance	DC voltage	Case code
Green Tech	Series Wet Electrolytic Tantalum Capacitor	107: 10×10^7 (pF) This is expressed in picofarads. The first two digits are the significant figures. The third is the number of zeros to follow.	K=±10% M=±20%	6.3V=006 10V=010 16V=016 25V=025 40V=040 63V=063 100V=100 125V=125	See table 2

Notes:

- 1、Tantalum capacitors can't been measured by multimeter (Easily cause irreversible damage and lead to reject)
- 2、Capacitance, DF measure frequency: 100Hz, $U=2.2_{-1.0}^0 V$, $U_{-}=1.0_{-0.5}^0 V$ (effective value)
- 3、Measure leakage current above 85°C, please use derated voltage.
- 4、Special size and big capacitance products, please negotiate with us