



GTCYG-1KV High Frequency Mica Capacitor

1, Brief Introduction

This capacitor is silver-layer coating,

can used at high frequency 1KHz~1MHz and big current 200A.

Operating Temperature: 0°C~50°C

Relative Humidity: 35%~70%

Suit Equipment: 3kw----10kw high frequency equipment.;

Function: High frequency resonance.



2, Feature

No.	Item	Standard	Test Method
1	Frequency	≤800KHz	Electrical Bridge
2	Current	≤200A	Ampere Meter
3	Voltage	≤1000V	Puncture Tester
4	Capacitance	0.01μF~ 0.1μF	Capacitance Meter
5	Insulate Resistance	>500MΩ	Insulation Tester
6	Dissipation Factor	≤0.5	

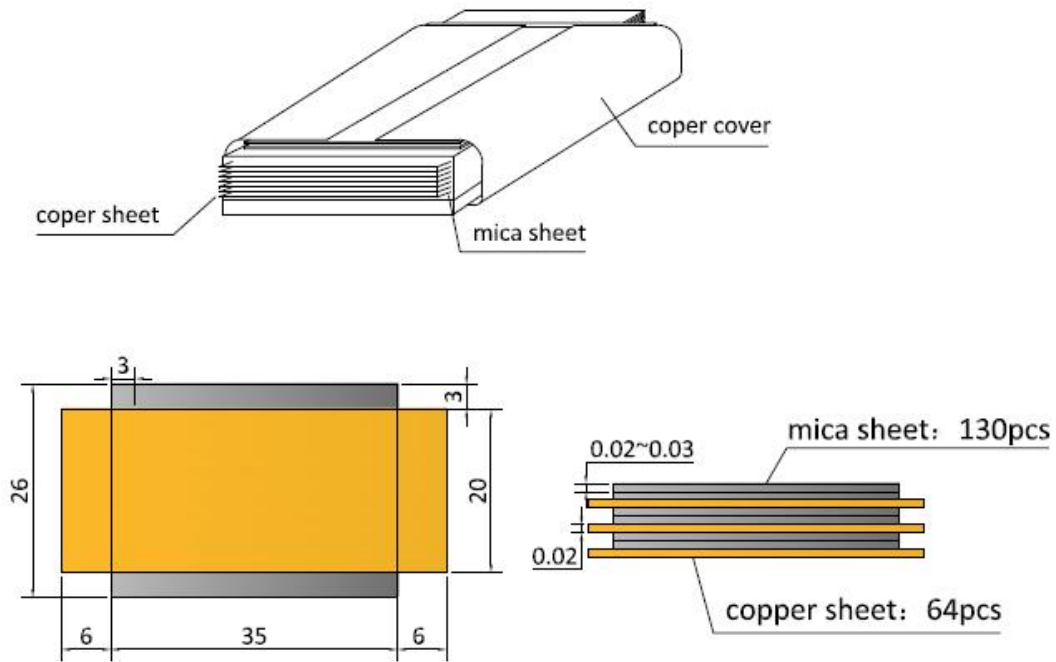
3, Data Record

Part Number: GTCYG-1KV-0.052μF

NO.	C (μF)	tgδ (≤N X10 ⁻³)	U (KV/min)	Size
1	0.052	0.3	1.5	46*31*9mm



4, Outline Drawing:



Unit: mm

5, Guarantee and Storage

Store temperature 5°C ~ 25 °C, put at dry and sealed. Quality guaranteed 12 months after shipping.

6, Application

High frequency welding machine, big current welding machine etc.