



CA31 Wet Tantalum Capacitor (hermetic seal)

1, Brief Introduction and Feature

- 1) CA31, Metal case ,hermetic sealed, with insulation sleeve wet tantalum electrolytic capacitors.
- 2) With polar, axial leads through hole, long life, good performances and stability.
- 3) Widely used in electronic equipment for communication equipment etc. industrial device.

Meet standard: QJ/PWV93-2003



2, General Characteristics

Operating Temperature Range: $-55^{\circ}\text{C} \sim +125^{\circ}\text{C}$ ($>85^{\circ}\text{C}$ with voltage derating);

Capacitance range: $1.7\mu\text{F} \sim 1200\mu\text{F}$

Capacitance Tolerance: $K = \pm 10\%$, $M = \pm 20\%$

Voltage: $6\text{V} \sim 125\text{V}$

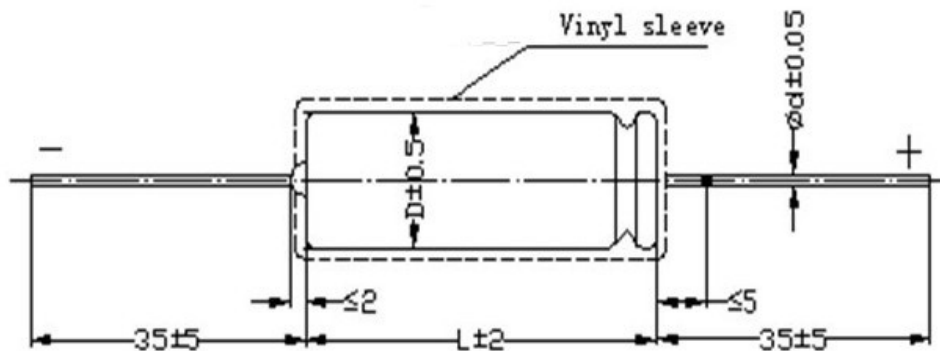
DF see Table 2

DCL see table 2

Case sizes, Dimensions and Max. weight: As shown in Table 1 and figure 1.

Nominal Capacitance, Rated voltage, Voltage Derating: See table 2

3, Drawing, Case Dimension and Max. weight



Outline and Dimensions

Table 1

Code	Max. weight (g)	Without sleeve		With sleeve	
		D±0.4 (mm)	L±0.8 (mm)	D±0.4 (mm)	L±0.8 (mm)
T1	4	4.8	11.5	5.6	12.8
T2	7	7.2	16.3	7.9	17.1
T3	14	9.5	19.5	10.3	20.3
T4	19	9.5	27	10.3	27.8



Shanghai Green Tech Co.,Ltd.

4, General Characteristics Table 2

Rated Voltage (V)	Voltage Derating (V)	Case size	Cap. (μF)	DCL (μA)Max		IMP (Ω) -55°C 100Hz	Tgδ (%)	Rated Voltage (V)	Voltage Derating (V)	Case size	Cap. (μF)	DCL (μA)Max		IMP (Ω) -55°C 100Hz	Tgδ (%)
				25°C	85°C		25°C					25°C	85°C		
				125°C	125°C	85°C	125°C								
6	4	T1	30	1	2	100	9.1	50	30	T4	300	8	32	25	35
		T1	68	1	2	60	20.4			T1	5	1	2	400	3.4
		T2	140	1	3	40	21.3			T1	10	1	2	250	6
		T2	270	1	6.5	25	81.8			T2	25	1	5	95	11.2
		T3	330	2	7.9	20	49.6			T2	47	1	9	70	21.4
		T3	560	2	13	25	128			T3	60	2	12	45	13.6
		T4	1200	3	14	20	144			T3	82	2	16+	45	24.9
8	5	T1	25	1	2	100	7.6	60	40	T4	160	8	32	27	25.7
		T1	56	1	2	59	17			T1	4	1	2	550	3
		T2	220	1	7	30	66.4			T1	8.2	1	2	275	5
		T3	430	2	14	25	91.5			T2	20	1	5	105	7.6
		T4	850	4	16	22	65.8			T2	39	1	9	90	20.7
10	7	T1	20	1	2	175	6.1	75	50	T3	50	2	12	50	15.3
		T1	47	1	2	100	18.1			T3	68	2	16	50	30.7
		T2	100	1	4	60	15.2			T4	140	8	32	28	25.7
		T2	180	1	7	40	54.4			T1	3.5	1	2	650	2.5
		T3	250	2	10	30	37.8			T1	6.8	1	2	300	4.1
		T3	390	2	16	25	87.6			T2	15	1	5	150	7.5
		T4	750	4	16	23	56.5			T2	33	1	10	90	17.5
15	10	T1	15	1	2	155	5.7	100	65	T3	40	2	12	60	15.2
		T1	33	1	2	90	12.5			T3	56	2	17	60	25.6
		T2	70	1	4	75	13.1			T4	110	9	36	29	25.7
		T2	120	1	7	50	36.8			T1	2.5	1	2	950	5
		T3	170	2	10	35	25.4			T1	4.7	1	2	500	3.6
		T3	270	2	16	30	60.9			T2	11	1	4	200	5
		T4	540	6	24	23	49			T2	22	1	9	100	11.8
25	15	T1	10	1	2	220	4.6	125	85	T3	30	2	12	80	9.1
		T1	22	1	2	140	8.3			T3	43	2	17	70	19.7
		T2	100	1	10	50	31.4			T4	86	9	36	30	20.7
		T3	180	2	18	32	54.3			T1	1.7	1	2	1250	7
		T4	350	7	28	24	35			T1	3.6	1	2	600	4.1
30	20	T1	8	1	2	275	4.5	125	85	T2	9	1	5	240	10.2
		T1	15	1	2	175	9.1			T2	14	1	7	167	12.7
		T2	40	1	5	65	12.2			T3	18	2	9	129	15
		T2	68	1	8	60	31			T3	25	2	13	93	19
		T3	100	2	12	40	19			T4	56	10	40	32	17.5
		T3	150	2	18	35	46								

Please read the important notes and cautions at the end of this document.

**5,How to order**

(GTCA31 476 K 050 T2)

GT	CA31	476	K	050	1
Brand Name	Type	Capacitance	Tolerance	DC voltage	Case code
Green Tech	Axial Wet Electrolytic Tantalum Capacitor	476: 47×10^6 (pF) This is expressed in picofarads. The first two digits are the significant figures. The third is the number of zeros to follow.	K=±10% M=±20%	15V=015 25V=025 30V=030 50V=050 60V=060 100V=100 125V=125	See table 2

Notes:

- 1、Tantalum capacitors can't been measured by multimeter (Easily cause irreversible damage and lead to reject)
- 2、Capacitance, DF measure frequency: 100Hz, U.=2.20 -1.0V, U.-=1.00 -0.5V(effective value), measure method is by series equivalent circuit.
- 3、Measure leakage current above 125°C, please use derated voltage. DLC read within 5 minute.
- 4、Special size and big capacitance products, please negotiate with us